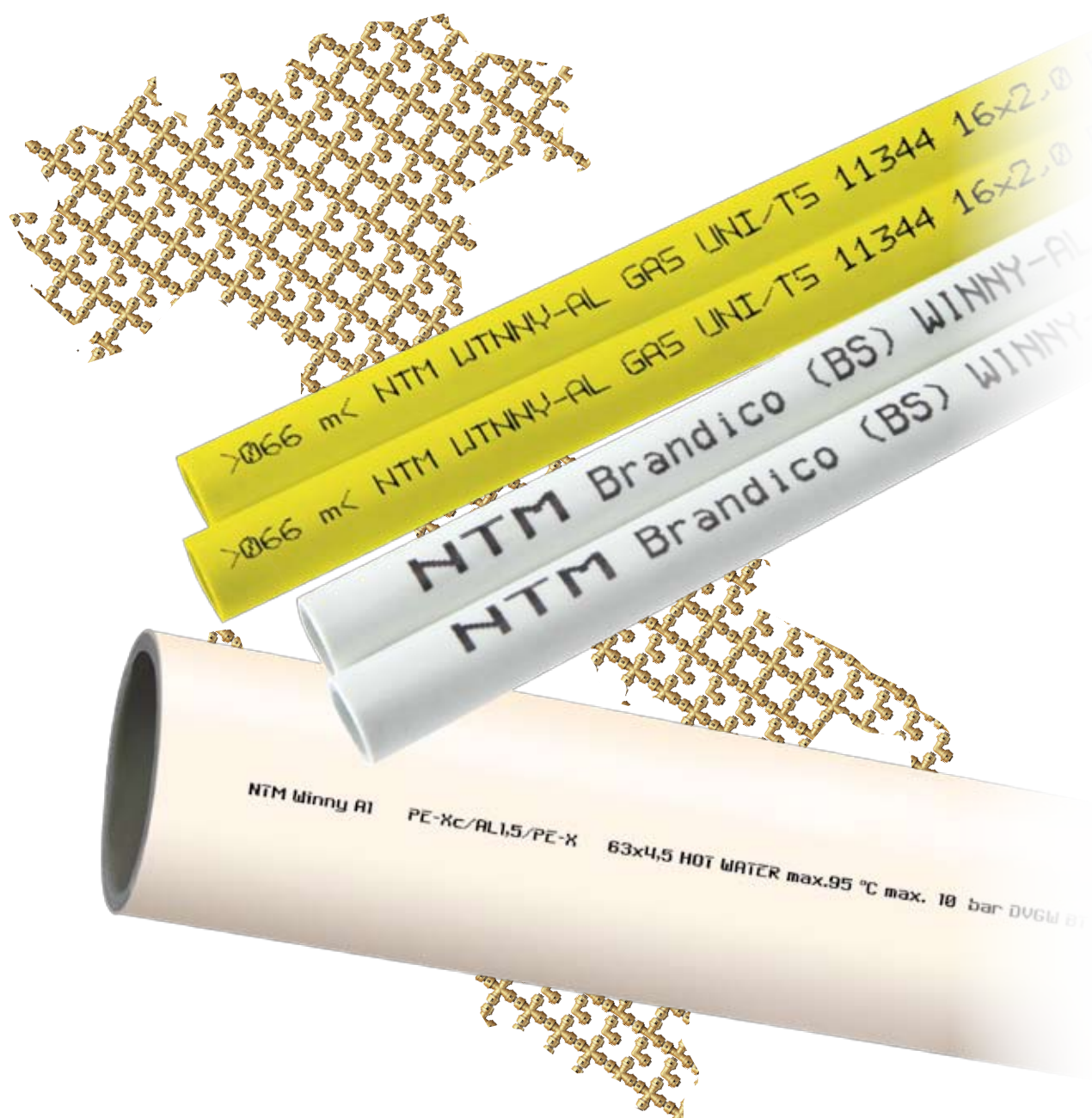


1. TUBO MULTISTRATO Winny-Al® MULTILAYER PIPE Winny-Al®



TUBO



1.0 | SERIE TUBO

«Winny-Al®»

«Winny-Al®»

FILE PIPE



Tube multistrato «Winny-Al®» pex./al/pex. Multilayer pipe «Winny-Al®» pex./al/pex.



Art. 7000

Pinza profilo TH
Tongs TH

| Codice Code | Misura Size | Prezzo € Price € |
|----------------|----------------|---------------------|
| 700014 | 14 TH | 302,50 |
| 700016 | 16 TH | 302,50 |
| 700018 | 18 TH | 302,50 |
| 700020 | 20 TH | 302,50 |
| 700025 | 25 TH | 302,50 |
| 700026 | 26 TH | 302,50 |
| 700032 | 32 TH | 390,50 |



Art. 7002

Pressatrice elettrica
Electric crimping machine

| Codice Code | Misura Size | Prezzo € Price € |
|----------------|------------------------|---------------------|
| 7002A | Senza pinze | 1200,50 |
| 7002B | Con pinze 16 - 20 - 26 | 2230,50 |



Art. 498

Calibratore per tubo
Pipe plug gauge

| Codice Code | Misura Size | Prezzo € Price € |
|----------------|-------------------|---------------------|
| 498 | Unica One Size | 2,76 |



Art. 497

Molla curvatubo
Pipe bending

| Codice Code | Misura Size | Prezzo € Price € |
|----------------|----------------|---------------------|
| 49714 | 14 | 21,00 |
| 49716 | 16 | 21,00 |
| 49718 | 18 | 21,00 |
| 49720 | 20 | 21,00 |
| 49726 | 26 | 21,00 |



Art. 496

Cesoia
Pipe cutter

| Codice Code | Misura Size | Prezzo € Price € |
|----------------|------------------------|---------------------|
| 496 | Unica 0-42 One Size | 62,00 |

Tubo multistrato «Winny-Al®» pex./al/pex. Multilayer pipe «Winny-Al®» pex./al/pex.



Art. 60 PEXC

Tubo multistrato
Multilayer pipe

Winny-al®

| Codice Code | Misura Size | Alluminio Aluminium | Spess. Thick. | Prezzo € Price € | Mt. Rot. Mt. Coil |
|----------------|----------------|------------------------|------------------|---------------------|----------------------|
| 60PEXC1420-100 | 14 | 0,20 | 2.0 | 1,57 | 100 |
| 60PEXC1620-100 | 16 | 0,20 | 2.0 | 1,35 | 100 |
| 60PEXC1820-100 | 18 | 0,25 | 2.0 | 1,90 | 100 |
| 60PEXC2020-100 | 20 | 0,25 | 2.0 | 1,98 | 100 |
| 60PEXC2525-100 | 25 | 0,30 | 2.5 | 3,38 | 100 |
| 60PEXC2630-100 | 26 | 0,30 | 3.0 | 3,56 | 100 |
| 60PEXC3230-50 | 32 | 0,30 | 3.0 | 5,50 | 100 |
| 60PEXC4035-5 | 40 | 0,80 | 3.5 | 16,67 | Bars Mt.5 |
| 60PEXC5040-5 | 50 | 1,20 | 4.0 | 26,37 | Bars Mt.5 |
| 60PEXC6345-5 | 63 | 1,50 | 4.5 | 51,99 | Bars Mt.5 |
| 60PEXC1620-030 | 16 | 0,30 | 2.0 | 1,82 | 100 |
| 60PEXC2020-040 | 20 | 0,40 | 2.0 | 2,86 | 100 |
| 60PEXC2630-065 | 26 | 0,65 | 3.0 | 5,42 | 100 |



Art. 60 GAS

Tubo multistrato
Multilayer pipe

**Winny-Al
GAS®**

| Codice Code | Misura Size | Alluminio Aluminium | Spess. Thick. | Prezzo € Price € | Mt. Rot. Mt. Coil |
|----------------|----------------|------------------------|------------------|---------------------|----------------------|
| 60GAS1620-040 | 16 | 0,40 | 2.0 | 2,41 | 100 |
| 60GAS2020-040 | 20 | 0,40 | 2.0 | 4,01 | 100 |
| 60GAS2630-060 | 26 | 0,60 | 3.0 | 7,65 | 100 |
| 60GAS3230-080 | 32 | 0,80 | 3.0 | 10,96 | 100 |
| | | | | | |
| | | | | | |
| | | | | | |
| | | | | | |
| | | | | | |
| | | | | | |
| | | | | | |
| | | | | | |
| | | | | | |
| | | | | | |
| | | | | | |
| | | | | | |
| | | | | | |
| | | | | | |
| | | | | | |
| | | | | | |
| | | | | | |
| | | | | | |



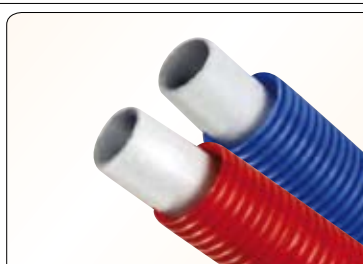
Art. R 60

Winny-al®

Tubo multistrato rivestito
colori: rosso - blu - neutro

Multilayer pipe covered
colours: red - blu - neutral

| Codice - Code | | Misura Size | Alluminio Aluminium | Spess. Thick. | Prezzo € Price € | Mt. Rot. Mt. Coil | |
|---------------|-------------|----------------|------------------------|------------------|---------------------|----------------------|----|
| Blu - Blue | Rosso - Red | | | | | | |
| R60B1420-50 | R60R1420-50 | R60N1420-50 | 14 | 0,20 | 2.0 | 2,08 | 50 |
| R60B1620-50 | R60R1620-50 | R60N1620-50 | 16 | 0,20 | 2.0 | 1,85 | 50 |
| R60B1820-50 | R60R1820-50 | R60N1820-50 | 18 | 0,25 | 2.0 | 2,75 | 50 |
| R60B2020-50 | R60R2020-50 | R60N2020-50 | 20 | 0,25 | 2.0 | 2,57 | 50 |
| R60B2525-50 | R60R2525-50 | R60N2525-50 | 25 | 0,30 | 2.5 | 4,67 | 50 |
| R60B2630-50 | R60R2630-50 | R60N2630-50 | 26 | 0,30 | 3.0 | 4,85 | 50 |
| R60B3230-25 | R60R3230-25 | R60N3230-25 | 32 | 0,30 | 3.0 | 7,21 | 25 |



Art. S 60

Winny-al®

Tubo multistrato con guaina corrugata
colori: rosso - blu

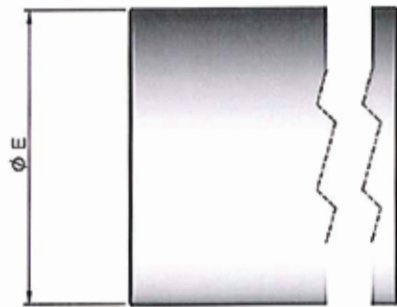
Multilayer pipe with corrugated sheath
colours: red - blu

| Codice - Code | | Misura Size | Alluminio Aluminium | Spess. Thick. | Prezzo € Price € | Mt. Rot. Mt. Coil | |
|---------------|-------------|----------------|------------------------|------------------|---------------------|----------------------|----|
| Blu - Blue | Rosso - Red | | | | | | |
| S60B1620-50 | S60R1620-50 | | 16 | 0,20 | 2.0 | 2,13 | 50 |
| S60B1820-50 | S60R1820-50 | | 18 | 0,25 | 2.0 | 3,16 | 50 |
| S60B2020-50 | S60R2020-50 | | 20 | 0,25 | 2.0 | 2,96 | 50 |

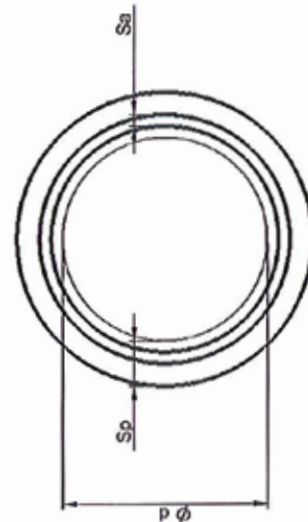
Tubo multistrato «Winny-Al®» pex./al/pex. Multilayer pipe «Winny-Al®» pex./al/pex.

DIMENSIONI TUBO PEX-AL-PEX / PIPE'S DIMENSIONS FOR PEX-AL-PEX

| Rif. / Ref. | Ø Interno tubo PEX-AL-PEX Inside Ø pipe PEX-AL-PEX | | SPESSORE tubo PIPE'S thickness | Ø Esterno tubo PEX-AL-PEX Outside Ø pipe PEX-AL-PEX | |
|-------------|---|---------|-----------------------------------|--|---------|
| | Ø d min | Ø d max | | Sp min | Ø E max |
| 14x2.0 | 9.7 | 10 | 2.0 | 14 | 14.2 |
| 16x2.0 | 11.7 | 12 | 2.0 | 16 | 16.2 |
| 18x2.0 | 13.7 | 14 | 2.0 | 18 | 18.2 |
| 20x2.0 | 15.7 | 16 | 2.0 | 20 | 20.2 |
| 25x2.5 | 19.7 | 20 | 2.5 | 25 | 25.2 |
| 26x3.0 | 19.7 | 20 | 3.0 | 26 | 26.2 |
| 32x3.0 | 25.7 | 26 | 3.0 | 32 | 32.25 |
| 40x3.5 | 32.7 | 33 | 3.5 | 40 | 40.25 |
| 50x4.0 | 41.6 | 42 | 4.0 | 50 | 50.3 |
| 63x4.5 | 53.5 | 54 | 4.5 | 63 | 63.3 |



**Tubo PEX-AL-PEX
PEX-AL-PEX Pipe**



| | | | | | |
|-------------------------------------|----------------------|--|--|-------------------------|------------|
| REV. | DESCRIZIONE MODIFICA | Tolleranze generali secondo UNI EN 12420 | Revisato da: | ESEGUITA DA | DATA |
| <input checked="" type="checkbox"/> | Critica | Importante | Materiale | Peso Grezzo | Peso Netto |
| | | | Trattamento | Formate Scale | |
| | | | Disegnato | Verificato | Approvato |
| | | | PO | RP | DG |
| | | | Descrizione | Capace Progettare | |
| | | | Dim. Tubo PEX-AL | TAB 03 WINNY PEX-AL-PEX | |
| | | | Questo disegno è di proprietà della NIM. È vietata espressamente la ristampa o l'uso non autorizzato senza permesso scritto dalla NIM S.p.A. | | |