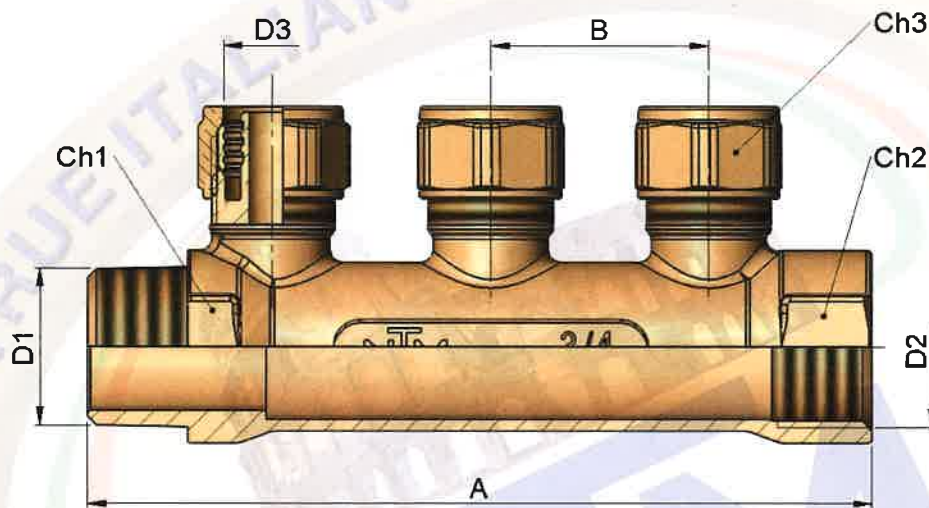




SCHEDA TECNICA / DATA SHEET

Art. 603

Collettore lineare per tubo pex Rif. 1/0
Linear Manifold for pex pipe Ref. 1/0



Tab. 2 di 3

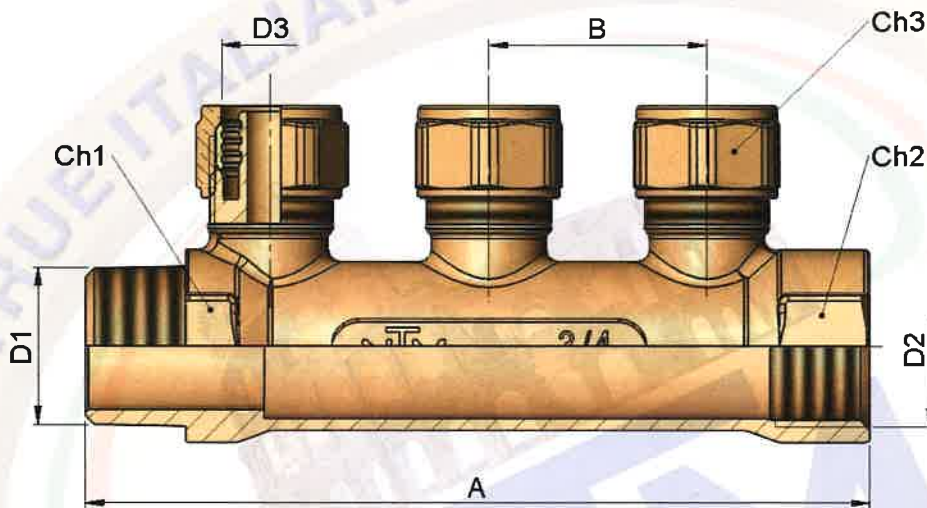
Misura Size	N° uscite	Spess. Thick.	D1 [mm]	D2 [mm]	D3 [mm]	A [mm]	B [mm]	Ch1 [mm]	Ch2 [mm]	Ch3 [mm]
1/0x12	3	1.1	1/0	1/0	12	131.0	36.0	38	38	24
1/0x12	3	2.0	1/0	1/0	12	131.0	36.0	38	38	24
1/0x15	3	2.5	1/0	1/0	15	131.0	36.0	38	38	24
1/0x16	3	1.5	1/0	1/0	16	131.0	36.0	38	38	24
1/0x16	3	2.0	1/0	1/0	16	131.0	36.0	38	38	24
1/0x16	3	2.2	1/0	1/0	16	131.0	36.0	38	38	24
1/0x18	3	2.0	1/0	1/0	18	131.0	36.0	38	38	27
1/0x18	3	2.5	1/0	1/0	18	131.0	36.0	38	38	27



SCHEDA TECNICA / DATA SHEET

Art. 603

Collettore lineare per tubo pex Rif. 1/0
Linear Manifold for pex pipe Ref. 1/0



Tab. 3 di 3

Misura Size	N° uscite	Spess. Thick.	D1 [mm]	D2 [mm]	D3 [mm]	A [mm]	B [mm]	Ch1 [mm]	Ch2 [mm]	Ch3 [mm]
1/0x12	4	1.1	1/0	1/0	12	167.0	36.0	38	38	24
1/0x12	4	2.0	1/0	1/0	12	167.0	36.0	38	38	24
1/0x15	4	2.5	1/0	1/0	15	167.0	36.0	38	38	24
1/0x16	4	1.5	1/0	1/0	16	167.0	36.0	38	38	24
1/0x16	4	2.0	1/0	1/0	16	167.0	36.0	38	38	24
1/0x16	4	2.2	1/0	1/0	16	167.0	36.0	38	38	24
1/0x18	4	2.0	1/0	1/0	18	167.0	36.0	38	38	27
1/0x18	4	2.5	1/0	1/0	18	167.0	36.0	38	38	27