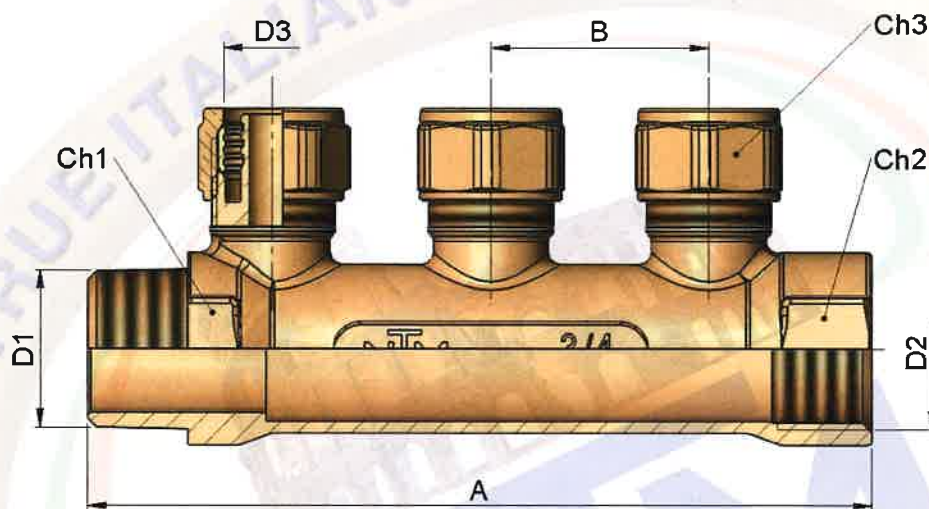




SCHEDA TECNICA / DATA SHEET

Art.603

Collettore lineare per tubo pex Rif. 3/4
Linear Manifold for pex pipe Ref. 3/4



Tab. 1 di 3

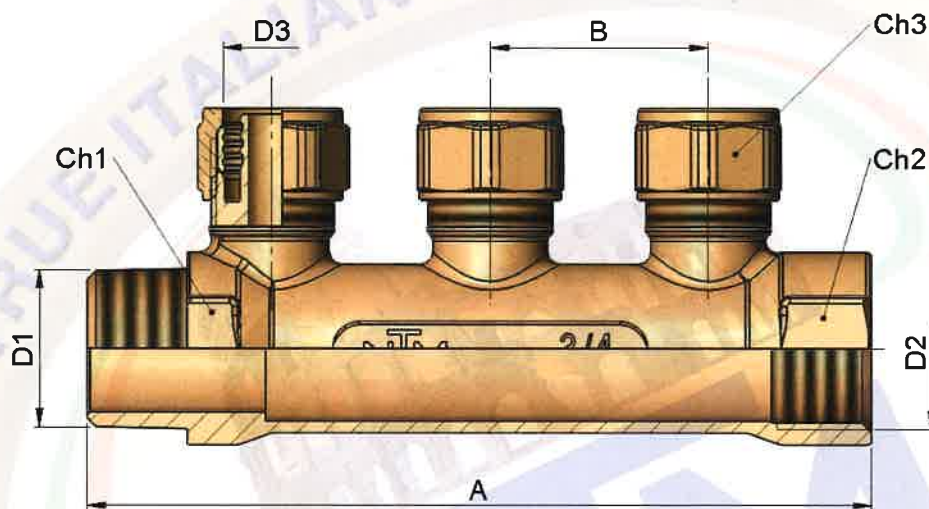
Misura Size	N° uscite	Spess. Thick.	D1 [mm]	D2 [mm]	D3 [mm]	A [mm]	B [mm]	Ch1 [mm]	Ch2 [mm]	Ch3 [mm]
3/4x12	2	1.1	3/4	3/4	12	93.5	36.0	32	32	24
3/4x12	2	2.0	3/4	3/4	12	93.5	36.0	32	32	24
3/4x15	2	2.5	3/4	3/4	15	93.5	36.0	32	32	24
3/4x16	2	1.5	3/4	3/4	16	93.5	36.0	32	32	24
3/4x16	2	2.0	3/4	3/4	16	93.5	36.0	32	32	24
3/4x16	2	2.2	3/4	3/4	16	93.5	36.0	32	32	24
3/4x18	2	2.0	3/4	3/4	18	93.5	36.0	32	32	27
3/4x18	2	2.5	3/4	3/4	18	93.5	36.0	32	32	27



SCHEDA TECNICA / DATA SHEET

Art. 603

Collettore lineare per tubo pex Rif. 3/4
 Linear Manifold for pex pipe Ref. 3/4



Tab. 2 di 3

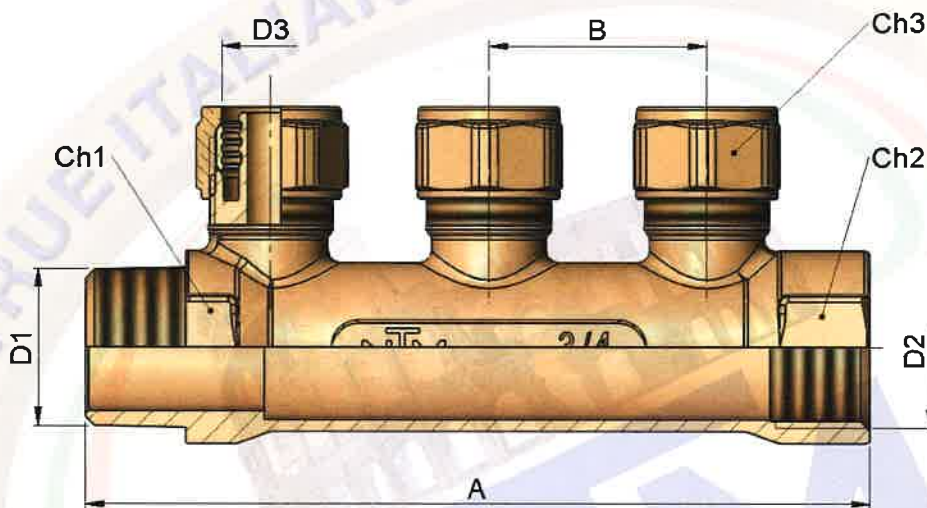
Misura Size	N° uscite	Spess. Thick.	D1 [mm]	D2 [mm]	D3 [mm]	A [mm]	B [mm]	Ch1 [mm]	Ch2 [mm]	Ch3 [mm]
3/4x12	3	1.1	3/4	3/4	12	129.5	36.0	32	32	24
3/4x12	3	2.0	3/4	3/4	12	129.5	36.0	32	32	24
3/4x15	3	2.5	3/4	3/4	15	129.5	36.0	32	32	24
3/4x16	3	1.5	3/4	3/4	16	129.5	36.0	32	32	24
3/4x16	3	2.0	3/4	3/4	16	129.5	36.0	32	32	24
3/4x16	3	2.2	3/4	3/4	16	129.5	36.0	32	32	24
3/4x18	3	2.0	3/4	3/4	18	129.5	36.0	32	32	27
3/4x18	3	2.5	3/4	3/4	18	129.5	36.0	32	32	27



SCHEDA TECNICA / DATA SHEET

Art. 603

Collettore lineare per tubo pex Rif. 3/4
 Linear Manifold for pex pipe Ref. 3/4



Tab. 3 di 3

Misura Size	N° uscite	Spess. Thick.	D1 [mm]	D2 [mm]	D3 [mm]	A [mm]	B [mm]	Ch1 [mm]	Ch2 [mm]	Ch3 [mm]
3/4x12	4	1.1	3/4	3/4	12	165.5	36.0	32	32	24
3/4x12	4	2.0	3/4	3/4	12	165.5	36.0	32	32	24
3/4x15	4	2.5	3/4	3/4	15	165.5	36.0	32	32	24
3/4x16	4	1.5	3/4	3/4	16	165.5	36.0	32	32	24
3/4x16	4	2.0	3/4	3/4	16	165.5	36.0	32	32	24
3/4x16	4	2.2	3/4	3/4	16	165.5	36.0	32	32	24
3/4x18	4	2.0	3/4	3/4	18	165.5	36.0	32	32	27
3/4x18	4	2.5	3/4	3/4	18	165.5	36.0	32	32	27