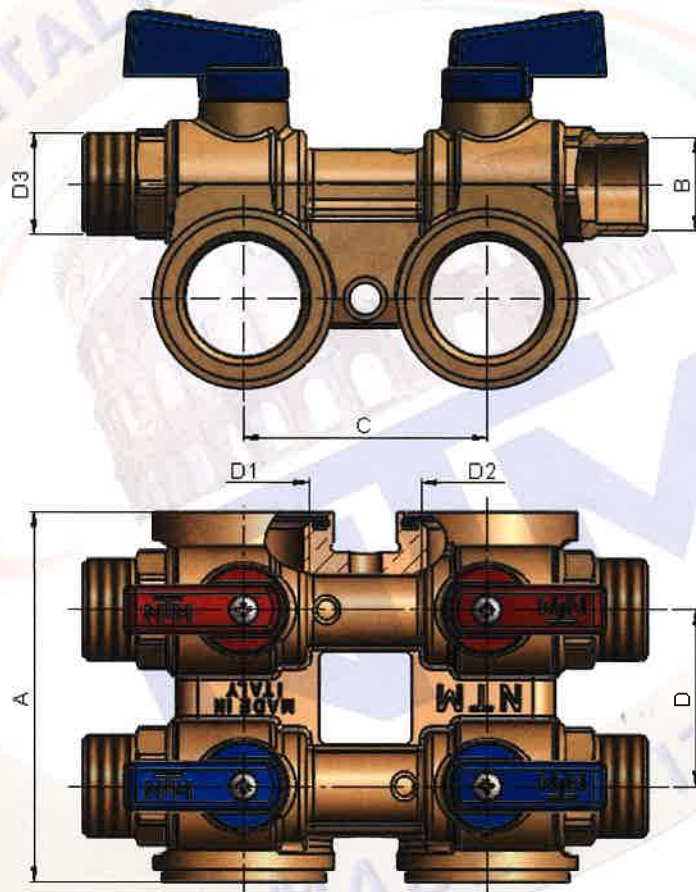




## SCHEDA TECNICA / DATA SHEET

### Art. 606 cu

*Collettore "Ciro" (02+02 vie caldo/freddo) per tubo rame*  
*Manifold "Ciro" (02+02 ways hot/cold) for copper pipe*



Misura Size	N° vie	D1 [mm]	D2 [mm]	D3 [mm]	A [mm]	B [mm]	C [mm]	D [mm]
3/4x1/2	2+2	3/4	3/4	1/2	75.5	15	50.0	36.0
3/4x1/2	2+2	3/4	3/4	1/2	75.5	16	50.0	36.0