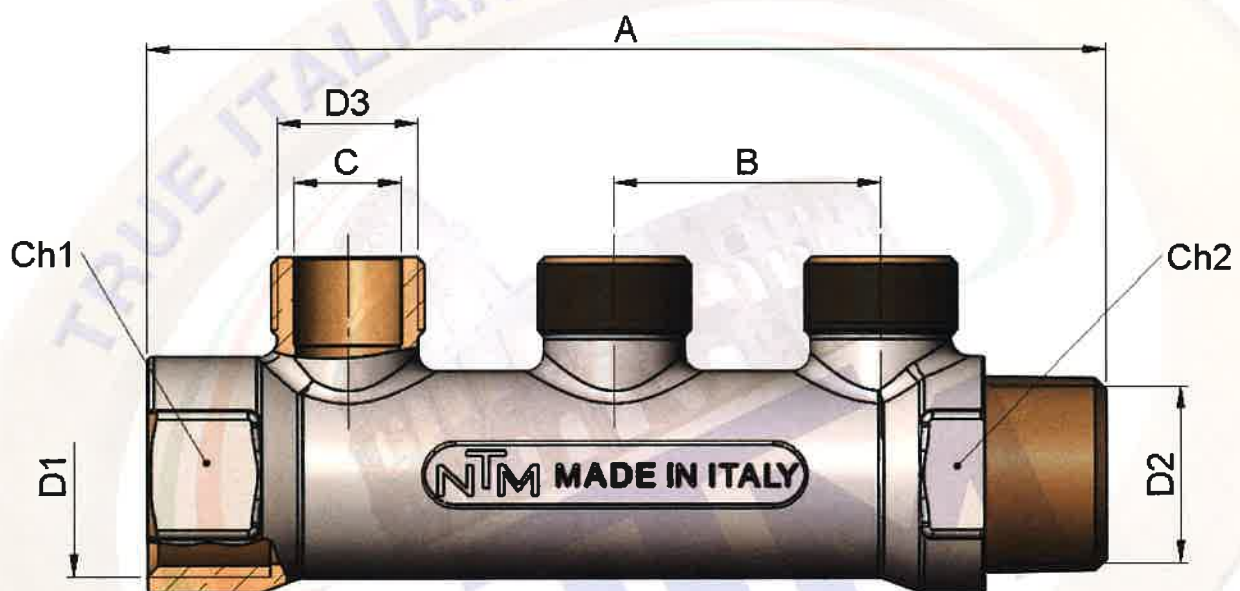




SCHEDA TECNICA / DATA SHEET

Art. 607 NK

Collettore lineare maschio sede piana nichelato
Linear male manifold flat outputs nickel plated



Misura Size	N° uscite	D1 [mm]	D2 [mm]	D3 [mm]	A [mm]	B [mm]	C [mm]	Ch1 [mm]	Ch2 [mm]
3/4x1/2	2	3/4	3/4	1/2	93.5	36.0	14.5	32	32
3/4x1/2	3	3/4	3/4	1/2	129.5	36.0	14.5	32	32
3/4x1/2	4	3/4	3/4	1/2	165.5	36.0	14.5	32	32
1/0x1/2	2	1/0	1/0	1/2	95	36.0	14.5	38	38
1/0x1/2	3	1/0	1/0	1/2	131	36.0	14.5	38	38
1/0x1/2	4	1/0	1/0	1/2	167	36.0	14.5	38	38