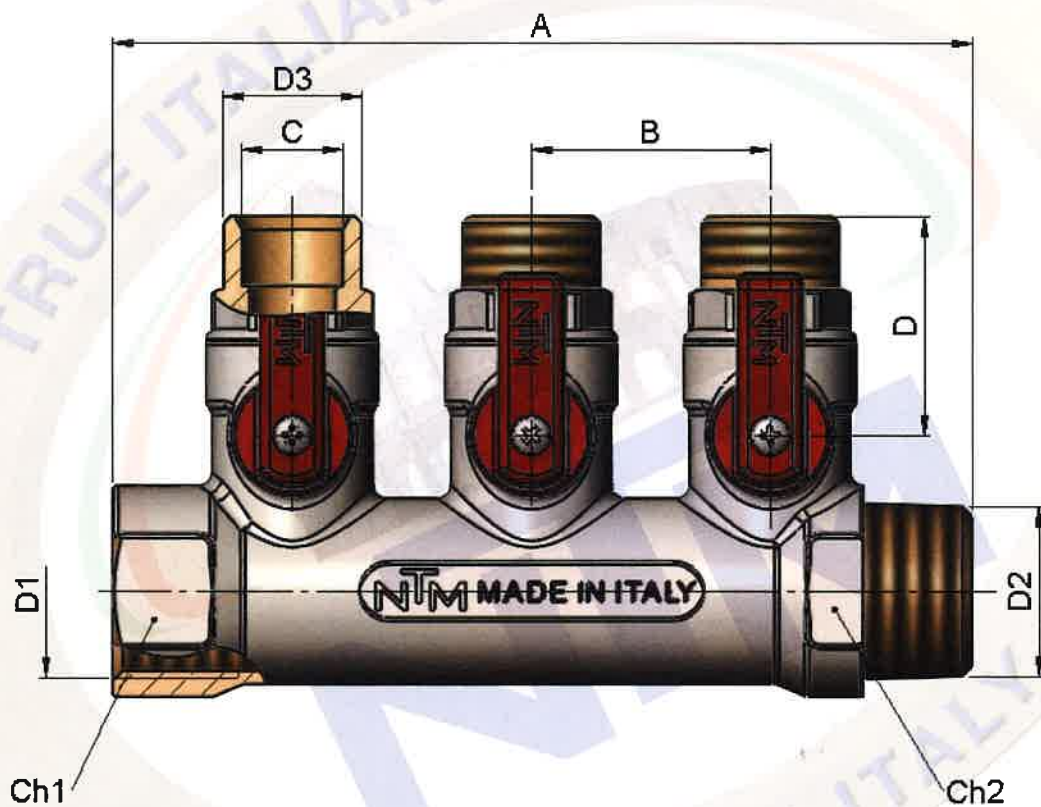




SCHEDA TECNICA / DATA SHEET

Art. 608 cu

Collettore Piko per tubo rame
Manifold Piko for copper pipe



Misura Size	N° uscite	D1 [mm]	D2 [mm]	D3 [mm]	A [mm]	B [mm]	C [mm]	D [mm]	Ch1 [mm]	Ch2 [mm]
3/4x1/2	2	3/4	3/4	1/2	93.5	36.0	15	41.0	32	32
3/4x1/2	2	3/4	3/4	1/2	93.5	36.0	16	41.0	32	32
3/4x1/2	3	3/4	3/4	1/2	129.5	36.0	15	41.0	32	32
3/4x1/2	3	3/4	3/4	1/2	129.5	36.0	16	41.0	32	32
1/0x1/2	2	1/0	1/0	1/2	99.0	36.0	15.0	41.0	38	38
1/0x1/2	2	1/0	1/0	1/2	99.0	36.0	16.0	41.0	38	38
1/0x1/2	3	1/0	1/0	1/2	135.0	36.0	15.0	41.0	38	38
1/0x1/2	3	1/0	1/0	1/2	135.0	36.0	16.0	41.0	38	38