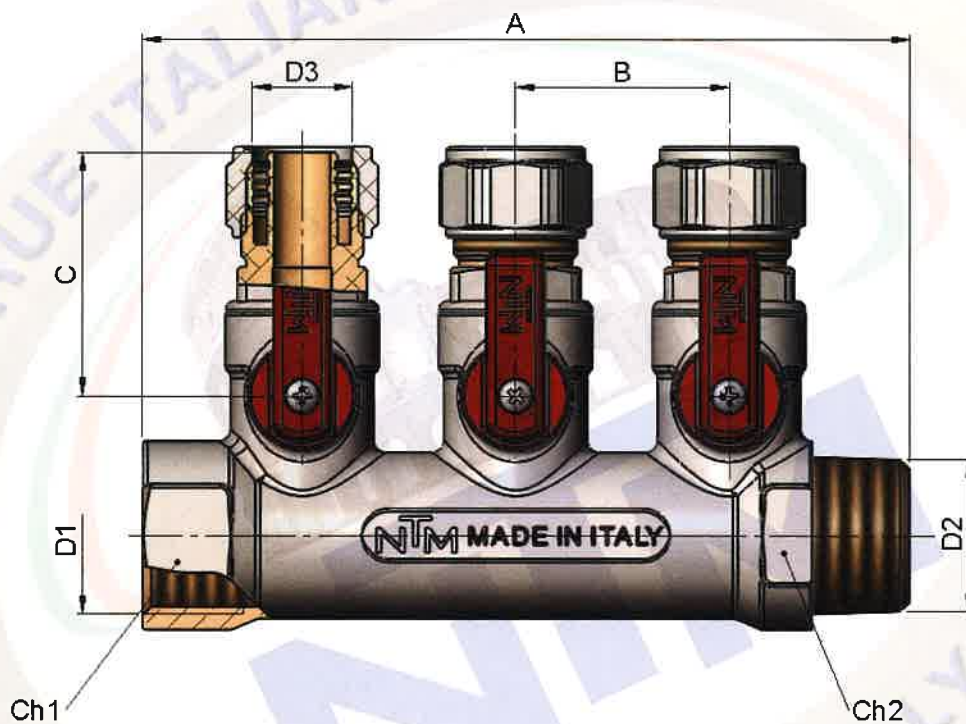




SCHEDA TECNICA / DATA SHEET

Art. 608 pex

Collettore Piko per tubo Winny-pex
Manifold Piko for Winny-pex pipe



Misura Size	N° uscite	Spess. Thick.	D1 [mm]	D2 [mm]	D3 [mm]	A [mm]	B [mm]	C [mm]	Ch1 [mm]	Ch2 [mm]	Ch3 [mm]
3/4x15	2	2.5	3/4	3/4	15	93.5	36.0	41.0	32	32	24
3/4x16	2	2.0	3/4	3/4	16	93.5	36.0	41.0	32	32	24
3/4x16	2	2.2	3/4	3/4	16	93.5	36.0	41.0	32	32	24
3/4x15	3	2.5	3/4	3/4	15	129.5	36.0	41.0	32	32	24
3/4x16	3	2.0	3/4	3/4	16	129.5	36.0	41.0	32	32	24
3/4x16	3	2.2	3/4	3/4	16	129.5	36.0	41.0	32	32	24
1/0x15	2	2.5	1/0	1/0	15	99.0	36.0	41.0	38	38	24
1/0x16	2	2.0	1/0	1/0	16	99.0	36.0	41.0	38	38	24
1/0x16	2	2.2	1/0	1/0	16	99.0	36.0	41.0	38	38	24
1/0x15	3	2.5	1/0	1/0	15	135.0	36.0	41.0	38	38	24
1/0x16	3	2.0	1/0	1/0	16	135.0	36.0	41.0	38	38	24
1/0x16	3	2.2	1/0	1/0	16	135.0	36.0	41.0	38	38	24