

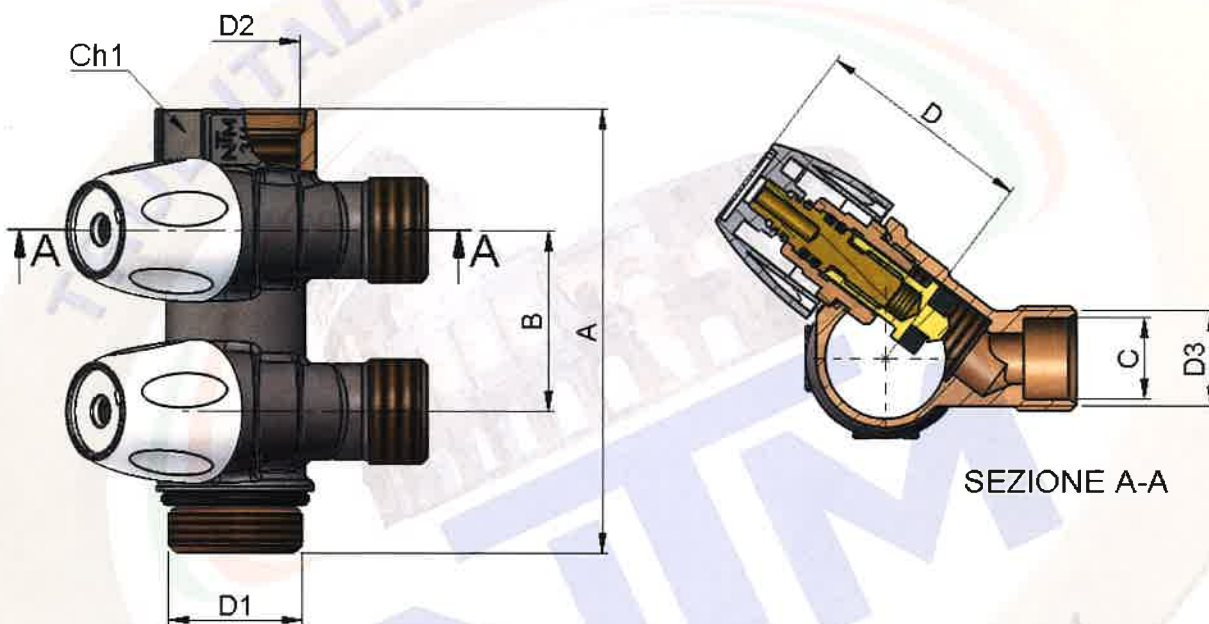


SCHEMA TECNICA / DATA SHEET

Art. 610A

Collettore Vito per tubo rame rif. 3/4

Manifold Vito for copper pipe ref. 3/4



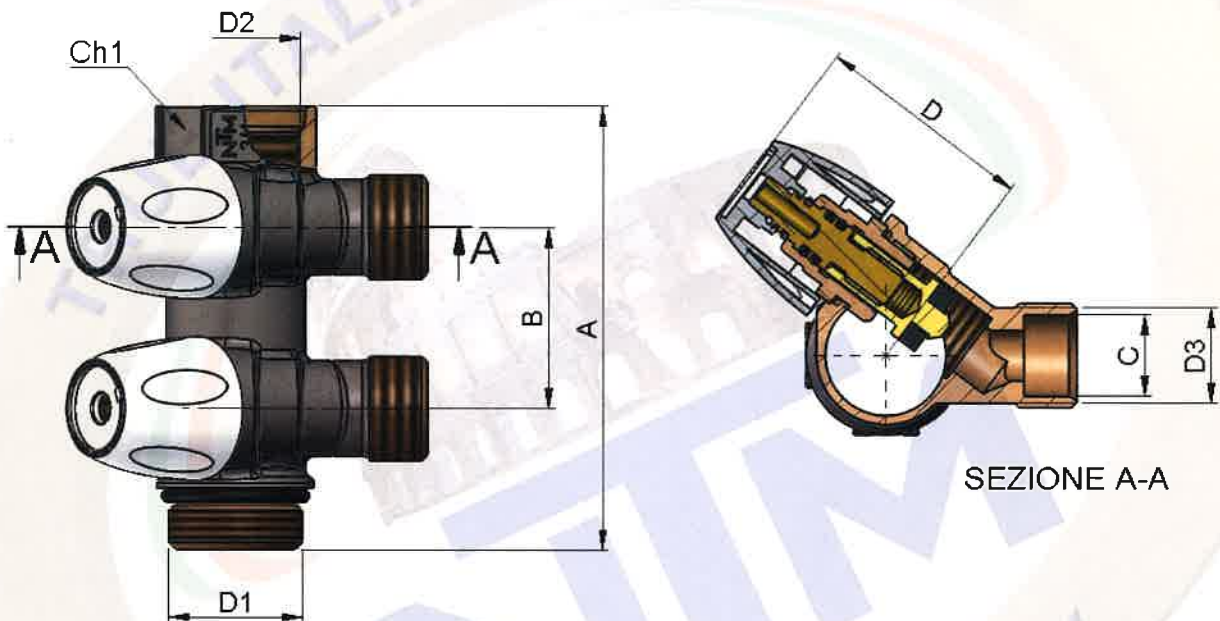
Misura Size	N° uscite	D1 [mm]	D2 [mm]	D3 [mm]	A [mm]	B [mm]	C [mm]	D [mm]	Ch1 [mm]
3/4x1/2	2	3/4	3/4	1/2	93.5	36.0	16	42.0	32
3/4x1/2	3	3/4	3/4	1/2	129.5	36.0	16	42.0	32
3/4x1/2	4	3/4	3/4	1/2	165.5	36.0	16	42.0	32
3/4x1/2	5	3/4	3/4	1/2	201.5	36.0	16	42.0	32
3/4xW24.19	2	3/4	3/4	W24.19	93.5	36.0	18	42.0	32
3/4xW24.19	3	3/4	3/4	W24.19	129.5	36.0	18	42.0	32
3/4xW24.19	4	3/4	3/4	W24.19	165.5	36.0	18	42.0	32
3/4x3/4	2	3/4	3/4	3/4	97.5	40.0	18	42.0	32
3/4x3/4	3	3/4	3/4	3/4	137.5	40.0	18	42.0	32
3/4x3/4	4	3/4	3/4	3/4	149.5	40.0	18	42.0	32



SCHEDA TECNICA / DATA SHEET

Art. 610A

Collettore Vito per tubo rame rif. 1/0
Manifold Vito for copper pipe ref. 1/0



Misura Size	N° uscite	D1 [mm]	D2 [mm]	D3 [mm]	A [mm]	B [mm]	C [mm]	D [mm]	Ch1 [mm]
1/0x1/2	2	3/4	3/4	1/2	95.0	36.0	16	43.0	38
1/0x1/2	3	3/4	3/4	1/2	131.0	36.0	16	43.0	38
1/0x1/2	4	3/4	3/4	1/2	167.0	36.0	16	43.0	38
1/0xW24.19	2	3/4	3/4	W24.19	95.0	36.0	18	43.0	38
1/0xW24.19	3	3/4	3/4	W24.19	131.0	36.0	18	43.0	38
1/0xW24.19	4	3/4	3/4	W24.19	167.0	36.0	18	43.0	38
1/0x3/4	2	3/4	3/4	3/4	99.0	40.0	18	43.0	38
1/0x3/4	3	3/4	3/4	3/4	139.0	40.0	18	43.0	38
1/0x3/4	4	3/4	3/4	3/4	179.0	40.0	18	43.0	38