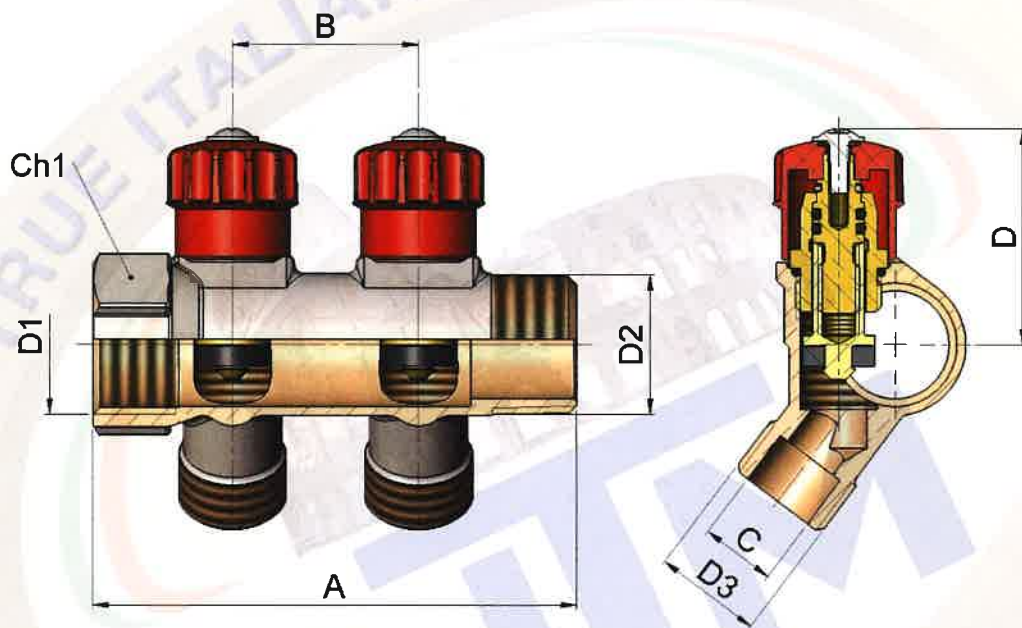




SCHEDA TECNICA / DATA SHEET

Art.617

Collettore Vito per tubo rame sede piana
Manifold Vito for copper pipe flat output



Misura Size	N° uscite	D1 [mm]	D2 [mm]	D3 [mm]	A [mm]	B [mm]	C [mm]	D [mm]	Ch1 [mm]
3/4x1/2	2	3/4	3/4	1/2	93.5	36.0	14.5	42.0	32
3/4x1/2	3	3/4	3/4	1/2	129.5	36.0	14.5	42.0	32
3/4x1/2	4	3/4	3/4	1/2	165.5	36.0	14.5	42.0	32
3/4x1/2	5	3/4	3/4	1/2	201.5	36.0	14.5	42.0	32
1/0x1/2	2	3/4	3/4	1/2	95.0	36.0	14.5	43.0	38
1/0x1/2	3	3/4	3/4	1/2	131.0	36.0	14.5	43.0	38
1/0x1/2	4	3/4	3/4	1/2	167.0	36.0	14.5	43.0	38