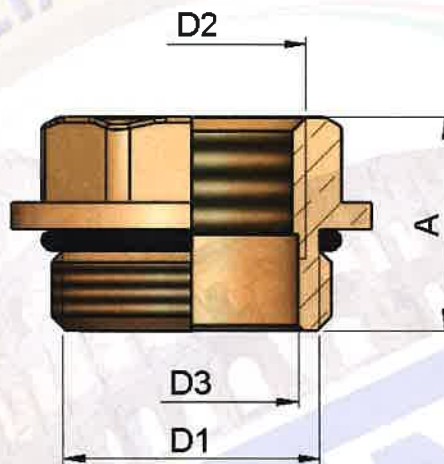




SCHEMA TECNICA / DATA SHEET

Art.681

Tappo maschio per mandata collettori con foro filettato + o'ring
Male cap for manifolds delivery with hole threaded + o'ring



Misura Size	D1 [mm]	D2 [mm]	D3 [mm]	A [mm]	Ch1 [mm]
3/4x3/8	3/4	3/8	20.0	21.0	25
3/4x1/2	3/4	1/2	20.0	21.0	25
1/0x3/8	1/0	3/8	25.5	25.5	31
1/0x1/2	1/0	1/2	25.5	25.5	31
1/0x3/4	1/0	3/4	25.5	25.5	31
1.1/4x3/8	1.1/4	3/8	33.0	25.5	31
1.1/4x1/2	1.1/4	1/2	33.0	25.5	31