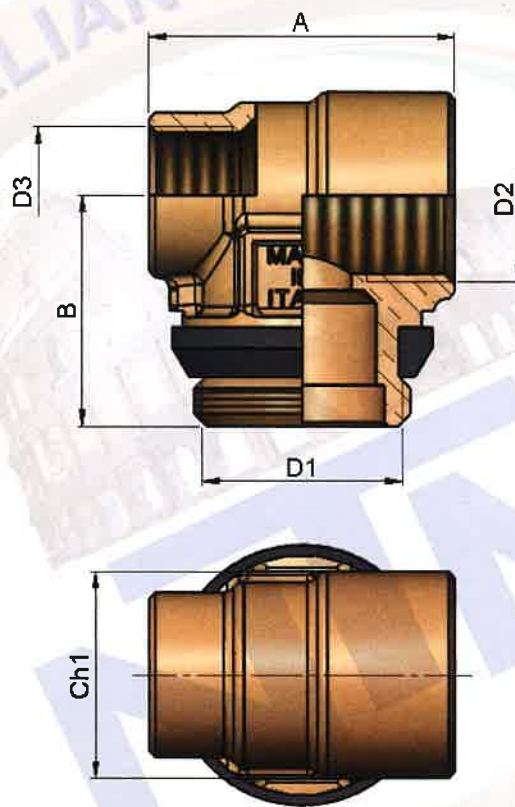




SCHEDA TECNICA / DATA SHEET

Art.690

Terminale di servizio con fori da 3/8 e 1/2 gas
Cap end with holes 3/8 and 1/2



Misura Size	D1 [mm]	D2 [mm]	D3 [mm]	A [mm]	B [mm]	Ch1 [mm]
3/4	3/4	1/2	3/8	37.0	28.0	25
1/0	1/0	1/2	3/8	40.0	31.8	29
1.1/4	1.1/4	1/2	3/8	47.0	33.2	36