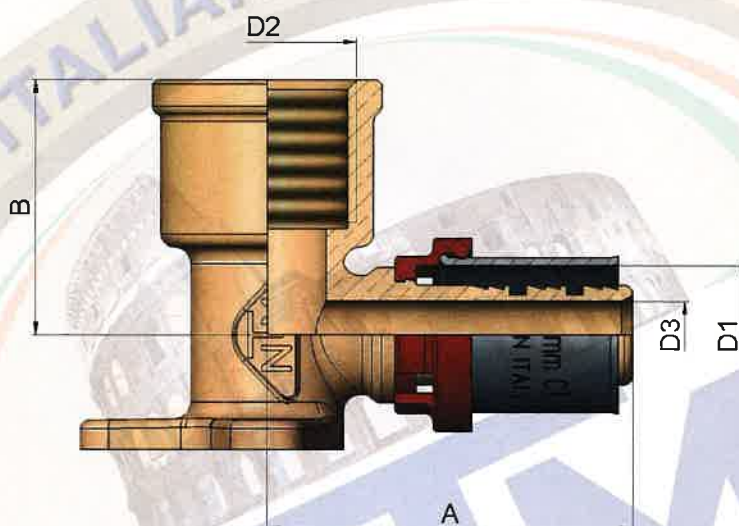




SCHEDA TECNICA / DATA SHEET

Art. 706-V

Raccordo curvo con flangia
Wallplate elbow



Misura Size	Spessore Thick.	D1 [mm]	D2 [mm]	D3 [mm]	A [mm]	B [mm]
16x1/2	2.0	16	1/2	8	43.0	30.0
16x3/4	2.0	16	3/4	8	47.0	33.0
18x1/2	2.0	18	1/2	10	43.0	31.5
20x1/2	2.0	20	1/2	11.5	43.0	31.5
20x3/4	2.0	20	3/4	11.5	47.0	33.0