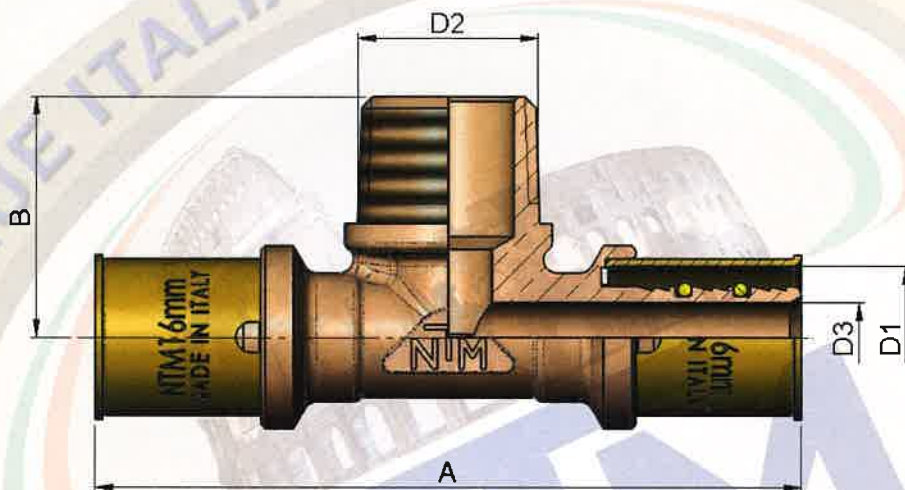




SCHEDA TECNICA / DATA SHEET

Art. 708-G

Raccordo a Tee maschio
Tee male



Misura Size	Spessore Thick.	D1 [mm]	D2 [mm]	D3 [mm]	A [mm]	B [mm]
16x1/2x16	2.0	16	1/2	8	81.0	27.5
20x1/2x20	2.0	20	1/2	11.5	83.0	29.5
20x3/4x20	2.0	20	3/4	11.5	87.0	32.3
25x3/4x25	2.5	25	3/4	15	90.0	39.0
25x1/0x25	2.5	25	1/0	15	90.0	42.0
26x3/4x26	3.0	26	3/4	15	90.0	39.0
26x1/0x26	3.0	26	1/0	15	90.0	42.0
32x1/0x32	3.0	32	1/0	20	90.0	44.5