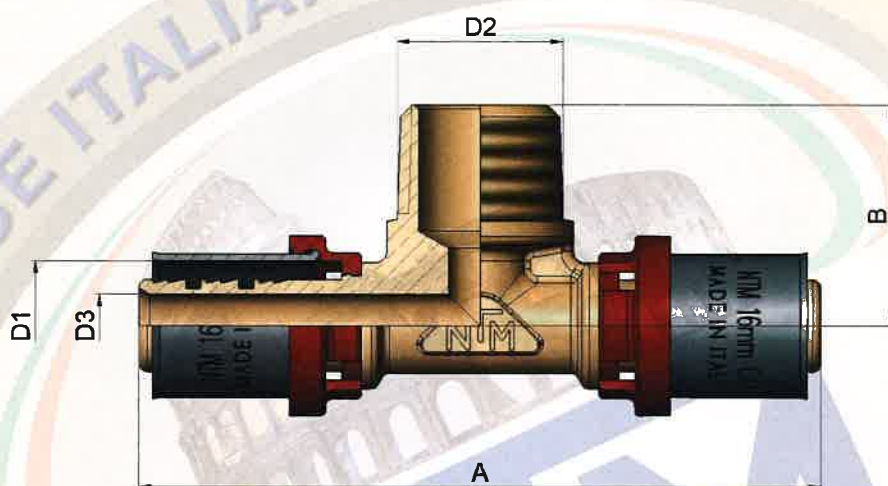




## SCHEDA TECNICA / DATA SHEET

### Art. 708-V

Raccordo a Tee maschio  
Tee male



Misura Size	Spessore Thick.	D1 [mm]	D2 [mm]	D3 [mm]	A [mm]	B [mm]
16x1/2x16	2.0	16	1/2	8	86.0	28.0
18x1/2x18	2.0	18	1/2	10	86.0	29.5
20x1/2x20	2.0	20	1/2	11.5	86.0	29.5
20x3/4x20	2.0	20	3/4	11.5	94.0	34.0
26x3/4x26	3.0	26	3/4	15	94.0	34.0
26x1/0x26	3.0	26	1/0	15	100.0	38.0
32x1/0x32	3.0	32	1/0	20	100.0	38.0