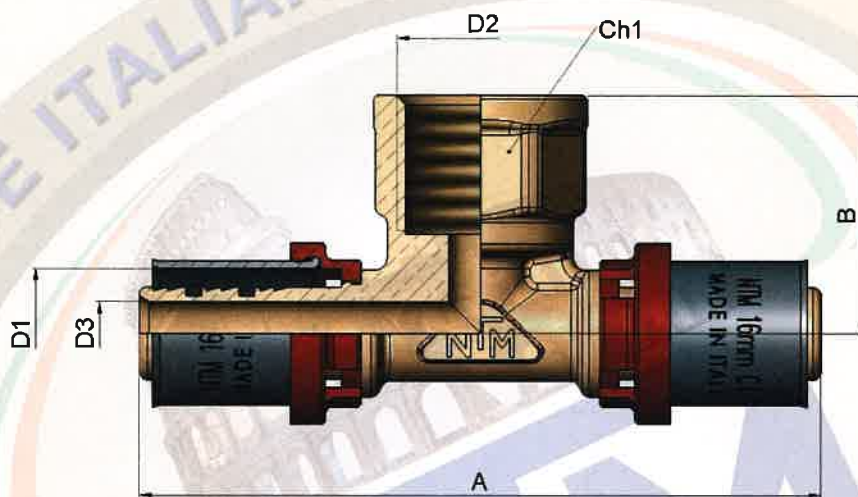




SCHEDA TECNICA / DATA SHEET

Art. 709-V Raccordo a Tee femmina Tee female



Misura Size	Spessore Thick.	D1 [mm]	D2 [mm]	D3 [mm]	A [mm]	B [mm]	Ch1 [mm]
16x1/2x16	2.0	16	1/2	8	86.0	30.0	24
18x1/2x18	2.0	18	1/2	10	86.0	31.5	24
20x1/2x20	2.0	20	1/2	11.5	86.0	31.5	24
20x3/4x20	2.0	20	3/4	11.5	94.0	34.0	31
26x1/2x26	3.0	26	1/2	15	98.0	36.5	-
26x3/4x26	3.0	26	3/4	15	94.0	34.0	31
26x1/0x26	3.0	26	1/0	15	100.0	38.0	-
32x1/0x32	3.0	32	1/0	20	100.0	38.0	-