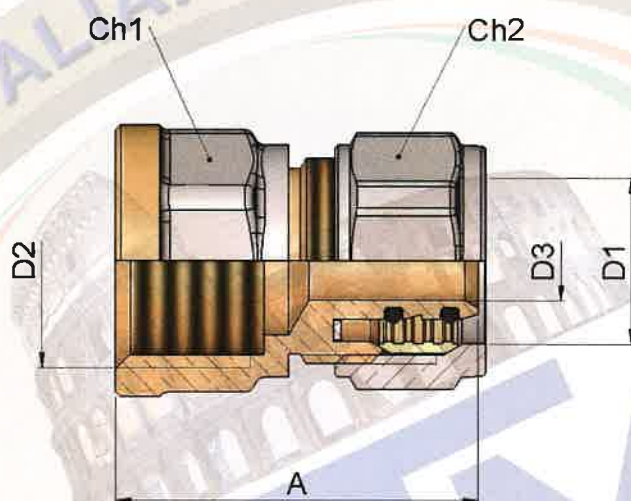




SCHEDA TECNICA / DATA SHEET

Art. 902

Raccordo dritto femmina
Straight nipple female



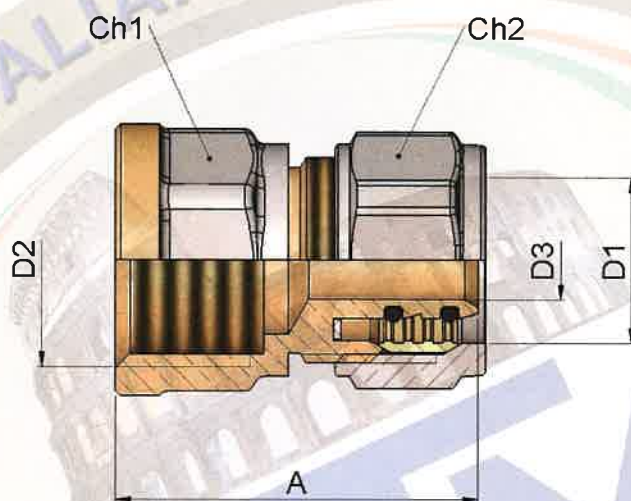
Misura Size	Spessore Thick.	D1 [mm]	D2 [mm]	D3 [mm]	A [mm]	Ch1 [mm]	Ch2 [mm]
14x3/8	2.0	14	3/8	6	32.2	21	24
14x1/2	2.0	14	1/2	6	36.7	24	24
14x3/4	2.0	14	3/4	6	38.0	31	24
16x3/8	2.0	16	3/8	8	32.2	21	24
16x1/2	2.0	16	1/2	8	36.7	24	24
16x3/4	2.0	16	3/4	8	38.0	31	24
18x1/2	2.0	18	1/2	10	36.2	25	27
18x3/4	2.0	18	3/4	10	38.0	31	27
20x1/2	2.0	20	1/2	11.5	37.5	27	30
20x3/4	2.0	20	3/4	11.5	40.0	31	30
20x1/0	2.0	20	1/0	11.5	44.0	38	30
25x3/4	2.5	25	3/4	15	45.0	34	36
25x1/0	2.5	25	1/0	15	48.5	38	36
26x3/4	3.0	26	3/4	15	45.0	34	36
26x1/0	3.0	26	1/0	15	48.5	38	36
32x1/0	3.0	32	1/0	20	50.0	41	45



SCHEDA TECNICA / DATA SHEET

Art. 902

Raccordo dritto femmina
Straight nipple female



Misura Size	Spessore Thick.	D1 [mm]	D2 [mm]	D3 [mm]	A [mm]	Ch1 [mm]	Ch2 [mm]
Serie speciale a richiesta / special size on request							
16x3/8	2.25	16	3/8	7.5	32.2	21	24
16x1/2	2.25	16	1/2	7.5	36.7	24	24
16x3/4	2.25	16	3/4	7.5	38.0	31	24
20x1/2	2.5	20	1/2	10.5	37.5	27	30
20x3/4	2.5	20	3/4	10.5	40.0	31	30