

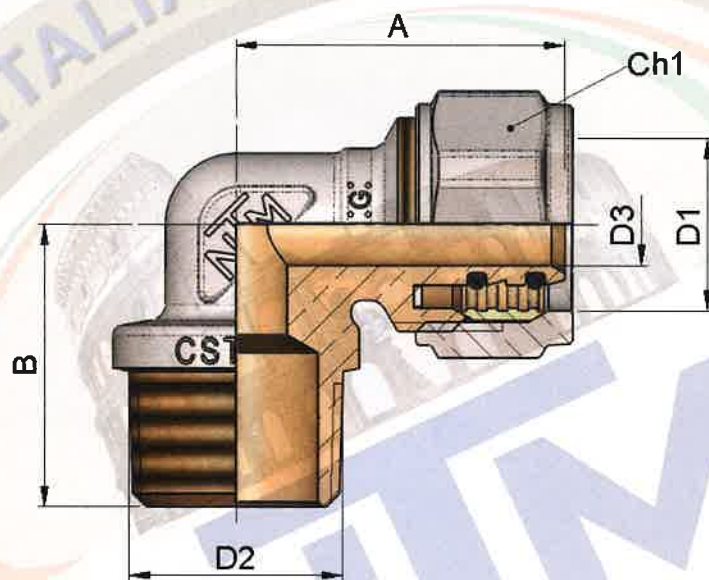


SCHEDA TECNICA / DATA SHEET

Art. 904

Raccordo angolo maschio

Elbow male



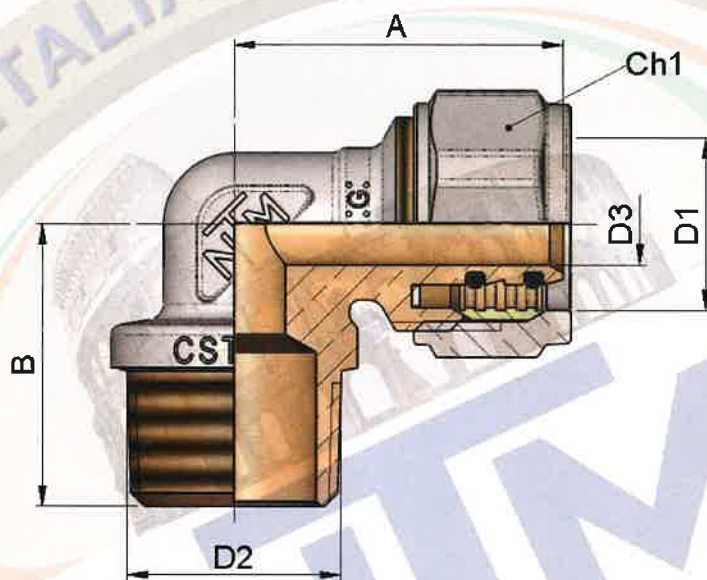
Misura Size	Spessore Thick.	D1 [mm]	D2 [mm]	D3 [mm]	A [mm]	B [mm]	Ch1 [mm]
14x1/2	2.0	14	1/2	6	32.0	27.5	24
14x3/4	2.0	14	3/4	6	35.7	31.5	24
16x1/2	2.0	16	1/2	8	32.0	27.5	24
16x3/4	2.0	16	3/4	8	35.7	31.5	24
18x1/2	2.0	18	1/2	10	33.0	27.5	27
18x3/4	2.0	18	3/4	10	38.0	32.3	27
20x1/2	2.0	20	1/2	11.5	37.5	28.5	30
20x3/4	2.0	20	3/4	11.5	39.5	32.3	30
25x3/4	2.5	25	3/4	15	46.0	39.0	36
25x1/0	2.5	25	1/0	15	46.0	42.0	36
26x3/4	3.0	26	3/4	15	46.0	39.0	36
26x1/0	3.0	26	1/0	15	46.0	42.0	36
32x3/4	3.0	32	3/4	20	51.5	44.0	45
32x1/0	3.0	32	1/0	20	51.5	46.0	45



SCHEDA TECNICA / DATA SHEET

Art. 904

Raccordo angolo maschio
Elbow male



Misura Size	Spessore Thick.	D1 [mm]	D2 [mm]	D3 [mm]	A [mm]	B [mm]	Ch1 [mm]
Serie speciale a richiesta / special size on request							
16x1/2	2.25	16	1/2	7.5	32.0	27.5	24
16x3/4	2.25	16	3/4	7.5	35.7	31.5	24
20x1/2	2.5	20	1/2	10.5	37.5	28.5	30
20x3/4	2.5	20	3/4	10.5	39.5	32.3	30