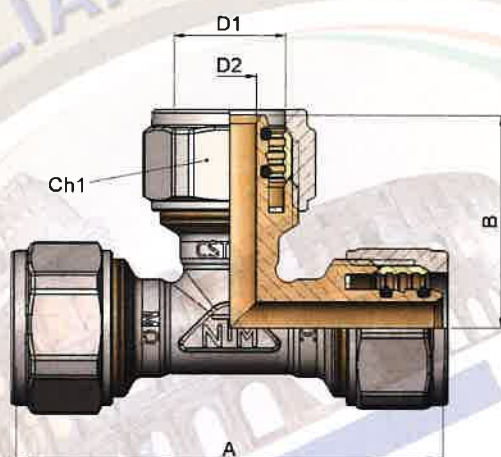




SCHEDA TECNICA / DATA SHEET

Art. 907

Raccordo a Tee
Tee



Misura Size	Spessore Thick.	D1 [mm]	D2 [mm]	A [mm]	B [mm]	Ch1 [mm]
14x14x14	2.0	14	6	64.4	32.2	24
16x16x16	2.0	16	8	64.4	32.2	24
18x18x18	2.0	18	10	66.0	33.0	27
20x20x20	2.0	20	11.5	75.0	37.5	30
25x25x25	2.5	25	15	92.0	46.0	36
26x26x26	3.0	26	15	92.0	46.0	36
32x32x32	3.0	32	20	103.0	51.5	45
Serie speciale a richiesta / special size on request						
16x16x16	2.25	16	7.5	64.4	32.2	24
20x20x20	2.5	20	10.5	75	37.5	30