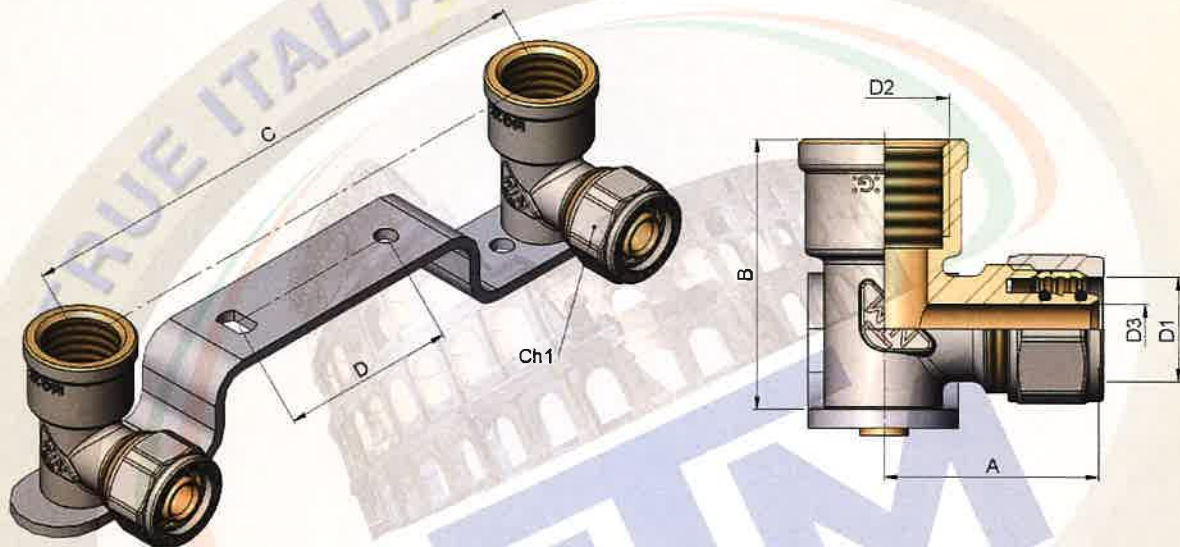




SCHEMA TECNICA / DATA SHEET

Art. 978

Staffa con angoli femmina interasse mm 153
Bracket with female elbows interaxis mm 153



Misura Size	Spessore Thick.	D1 [mm]	D2 [mm]	D3 [mm]	A [mm]	B [mm]	C [mm]	D [mm]	Ch1 [mm]
16x1/2	2.0	16	1/2	8	34.5	43.5	153.0	50.0	24
20x1/2	2.0	20	1/2	11.5	38.5	43.5	153.0	50.0	30